

8 Bolt Chemical Seal Type CF8

Application.

Designed for the chemical and petroleum industries, the two-piece eight bolt chemical seal operates up to 250bar. The bolted fitting allows easy separation of top and bottom chambers for cleaning or servicing. Wetted parts can be supplied in various materials to suit the harshest of applications. Available in several process connections (including flanged and female threads) the two-piece chemical seal provides an excellent chemical barrier to protect pressure gauges and transmitters where process control is required and small line sizes are used.

Configuration.

The CF8 seal consists of 2 parts. The top half has the diaphragm welded in place and is fixed to the instrument either directly or by capillary. The lower half is attached to the process. The two halves are held together by 8 stainless steel Socket Head Cap Screws, and sealed by a Viton "O"Ring. The lower half has 2 flushing ports to enable easy flushing and calibration in situ.

Process Connection Types.

ANSI
ANSI RJT
ANSI Large Tongue
ANSI Large Groove
JIS
Din
Table
NPT Female Up to 250 Bar
BSPT Female Up to 250 Bar
Other sizes available upon request.

Process Connection Size.

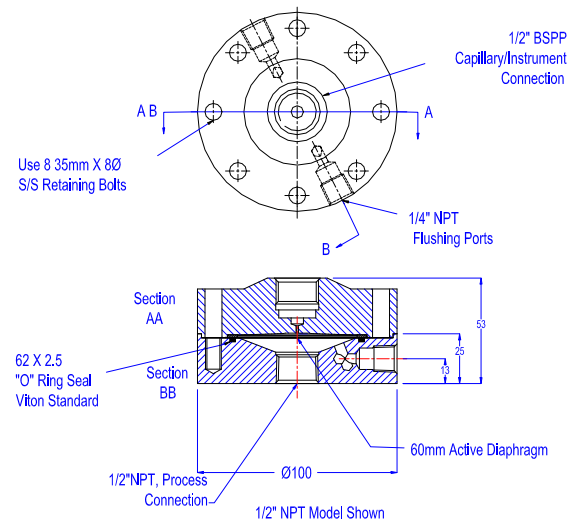
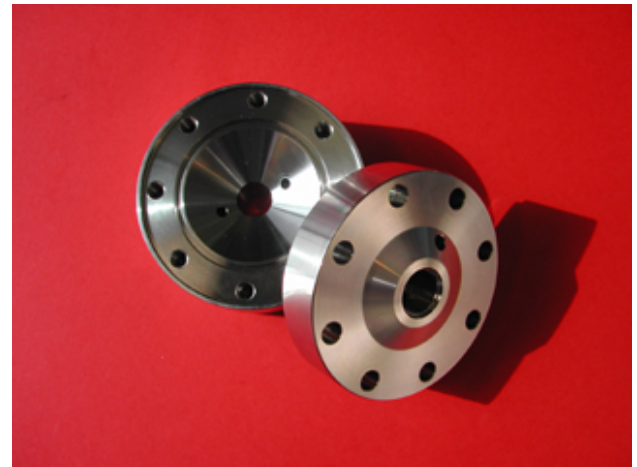
½", ¾", 1" and 1½" flanged
½", ¾" and 1" NPT or BSPT
Other sizes available upon request.

Diaphragm Materials.

316L stainless steel (Standard)
304 stainless steel
Hastelloy C-276
Monel 400
Tantalum
Duplex 2205
PFA (316L Stainless Steel coated)
Gold Plated 316L Stainless Steel
Nickel 200
Other materials available on request.

Wetted Materials.

316L stainless steel (Standard)
304 stainless steel
Hastelloy C-276
Monel 400
Tantalum
Duplex 2205
PFA (316L Stainless Steel coated)
Gold Plated 316L Stainless Steel
Nickel 200
Other materials available on request.



Seal Construction.

Seal body machined from bar stock.
Diaphragm welded or clamped into seal top.

Instrument Connection.

½" BSPP female (Standard)
¼" NPT female
3/8" BSPP female
½" NPT female
Other connections and sizes available on request

Diaphragm Size.

60 mm diaphragm

Maximum Pressure.

As per process connection Rating, but not above 250Bar.

Zero Stability.

Stability will be affected by the instrument configuration, ambient temperature, process temperature, connection size (diaphragm size) and the measuring range. For temperature effects and instrument accuracy please contact us.