

Vibrating Level Fork Adaptors

Type LPC

Application.

Benney offers a variety of Vibrating level fork adaptors for use in food, beverage and pharmaceutical industries. They are ideal for most applications where it is necessary to sanitise a vibrating fork. Adaptors are used to prevent the product entering the threaded connection of the fork. Without this barrier an unsanitary environment would be created. The adaptor is designed to allow vibrating level forks to be used with automated clean in place systems (CIP). They come in several sizes with a range of instrument and process connections. Normally manufactured from 316L stainless steel, or can be supplied in various other materials.

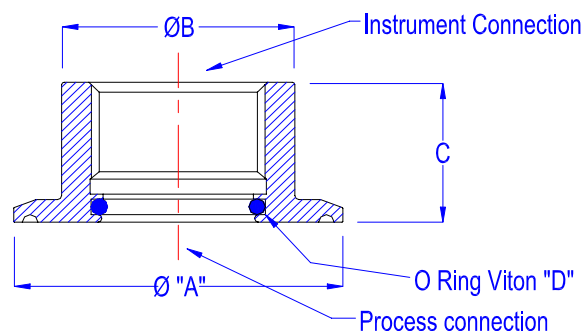


Configuration.

Machined from 316L stainless steel bar stock and fitted directly to the switch.

Instrument Connection.

Instrument Connection available to suit ½" BSPP, ¾" BSPP and 1" BSPP instrument types. Other instrument connections available upon request.



Process Connection.

Welded Spud.
2", 2½" and 3" Triclover.
2" BSM flat face.
2" BSM recessed face.
Other process connection's available upon request.

Material.

316L stainless steel standard.
Other materials available upon request.

Pressure Rating.

The maximum working pressure for BSM and Triclover adaptors is 3,500 kPa. Higher pressure available upon request.
The weld-in version has the same rating as the pipe work and fittings.

Connection type's for ½" instruments	"A"	"B"	"C"
Welded Spud	45.0	26.0	26.0
2" Triclover	63.5	26.0	26.0
2 ½" Triclover	77.6	26.0	26.0
3" Triclover	91.3	26.0	26.0
2"BSM Flat Face	66.5	26.0	26.0
3"BSM Flat Face	92	26.0	26.0
2"BSM Rec Face	66.5	26.0	26.0
Connection type's for ¾" instruments			
Welded Spud	55.0	34.0	26.0
2" Triclover	63.5	34.0	26.0
2 ½" Triclover	77.6	34.0	26.0
3" Triclover	91.3	34.0	26.0
2"BSM Flat Face	66.5	34.0	26.0
3"BSM Flat Face	92	34.0	26.0
2"BSM Rec Face	66.5	34.0	26.0
Connection type's for 1" instruments			
Welded Spud	60.0	45.0	28.0
2" Triclover	63.5	45.0	28.0
2 ½" Triclover	77.6	45.0	28.0
3" Triclover	91.3	45.0	28.0
2"BSM Flat Face	66.5	45.0	28.0
3"BSM Flat Face	92	45.0	28.0
2"BSM Rec Face	66.5	45.0	28.0

*All Dimensions are in millimetres.